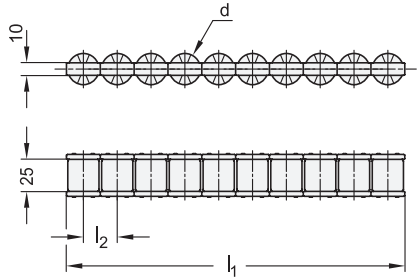

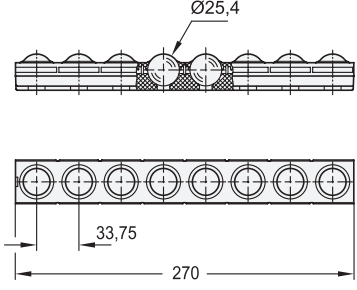

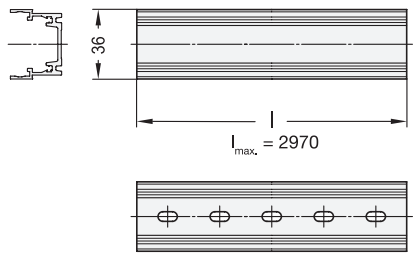

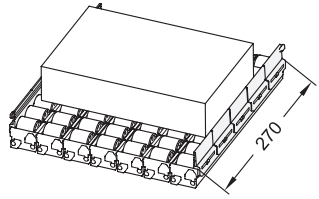

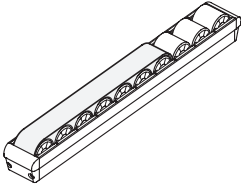

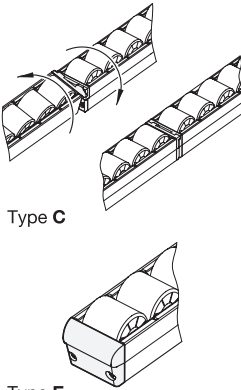

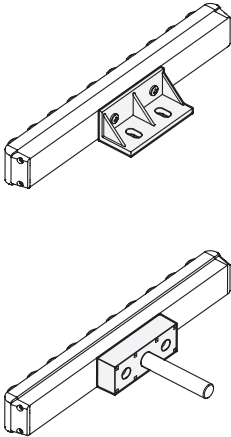
	<p>Roller Tracks GN 646.1 → Page 2009 for roller track assemblies</p> <p>Material versions of the rollers: - Polyamide PA - Polyurethane TPU</p> <p>Load rating information → Page 2008</p>	
	<p>Ball Track GN 646.2 → Page 2010 for ball rail assemblies</p> <p>Load rating information → Page 2008</p>	
	<p>Carrier Rail Profiles GN 646.3 → Page 2011 for roller and ball tracks</p> <p>Load rating information → Page 2008</p>	
	<p>Containment Edge Strip GN 646.4 → Page 2012 for roller track assemblies</p>	

	<p>Brakes GN 646.5 → Page 2013 for roller track assemblies</p> <p>Versions:</p> <ul style="list-style-type: none"> - Type A: without stop - Type B: with stop 		<p>3.1</p> <p>3.2</p> <p>3.3</p>
	<p>Connector / End Cap GN 646.6 → Page 2014 for carrier rail profiles</p> <p>Versions:</p> <ul style="list-style-type: none"> - Type C: Connector - Type E: End cap 	 <p>Type C</p> <p>Type E</p>	<p>3.4</p> <p>3.5</p> <p>3.6</p>
	<p>Mounting Brackets GN 646.7 → Page 2015 for roller track assemblies</p> <p>Versions:</p> <ul style="list-style-type: none"> - Type B: Block bracket - Type W: Angle bracket 		<p>3.7</p> <p>3.8</p> <p>3.9</p>

