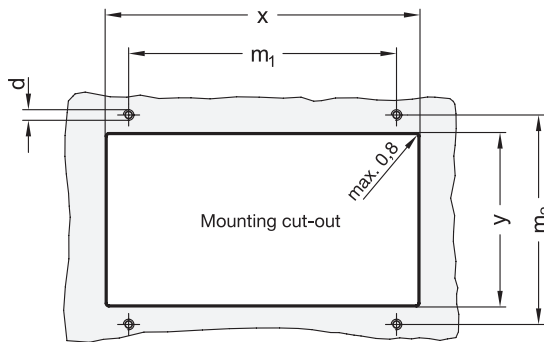




**Installation dimensions**



for $l_1 = 90$					for $l_1 = 105$				
<b>d</b>	<b>x +0,2</b>	<b>y +0,2</b>	<b>m<sub>1</sub> ±0,1</b>	<b>m<sub>2</sub> ±0,1</b>	<b>d</b>	<b>x -0,2</b>	<b>y -0,2</b>	<b>m<sub>1</sub> ±0,1</b>	<b>m<sub>2</sub> ±0,1</b>
M 4	135	65	118	79	M 5	158	86	141	98

1.1  
1.2  
1.3  
1.4  
2.1  
2.2  
2.3  
2.4

