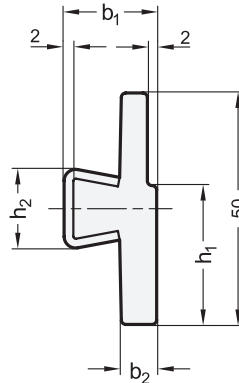


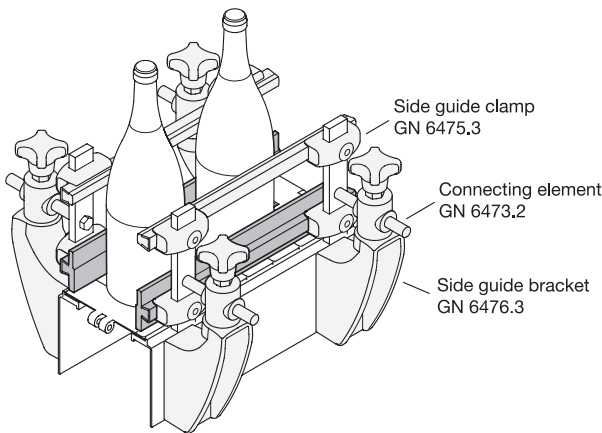
Application example



**elesa**  
Original design GLS

**Rost frei**  
Inox  
Stainless  
Steel

**1 Type**  
T Retaining profile trapezoidal



<b>2</b> $h_1$	<b>3</b> Length l	<b>4</b> $b_1$	$b_2$	$h_2$	Packaging unit
30	1500 3000	20	8	17	2

**Specification**

**Guide profile**

- Plastic, polyethylene (PE)
- Operating temperature -20 °C to +90 °C
- Shock resistant
- White

**Retaining profile**

Stainless steel AISI 304

RoHS

Technical Information	Page
Plastic Characteristics	QVX
Stainless Steel Characteristics	QVX

**Accessory**

GN 6475.3 Side Guide Clamps	QVX
GN 6475.4 Side Guide Clamps	QVX
GN 6475.5 Side Guide Clamps	QVX

Side guides GN 6475.2 are attached to the sides of conveyor sections and guide the conveyed goods smoothly without damage. The stepped guide contour reduces the contact surface with the conveyed goods. Due to the materials used, the side guides are ideal for use in corrosive environments. They are fastened using the trapezoidal retaining profile with side guide clamps GN 6475.3, GN 6475.4 or GN 6475.5.

The side guides are delivered in packaging units of 2 pieces each. They can be shortened as needed.

see also...

	Page
GN 6475 Side Guides (Guide Contour Flat)	QVX
GN 6475.1 Side Guides (Guide Contour Rounded)	QVX
GN 6476 Side Guide Brackets (Rigid, with Contact Edge)	QVX
GN 6476.2 Side Guide Brackets (Swiveling, with Contact Edge)	QVX
GN 6476.3 Side Guide Brackets (Swiveling)	QVX

**How to order**

<b>1</b> Type	T
<b>2</b> $h_1$	30
<b>3</b> Length l	1500-20
<b>4</b> $b_1$	20

**GN 6475.2-T-30-1500-20**