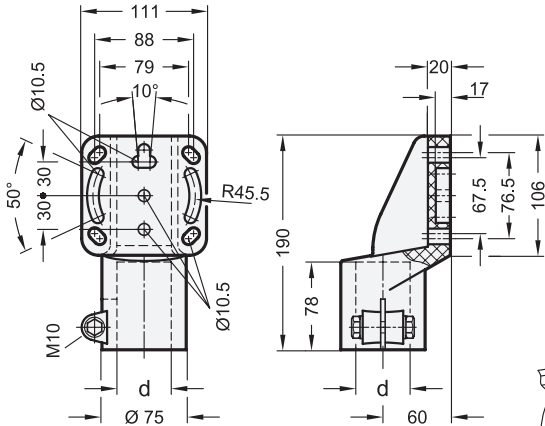
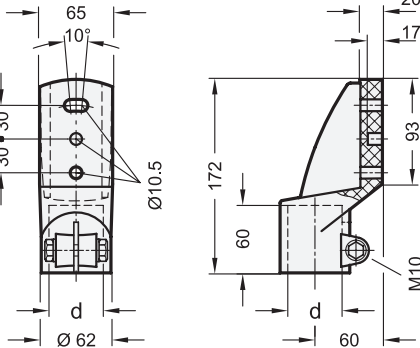


Type D



Type E



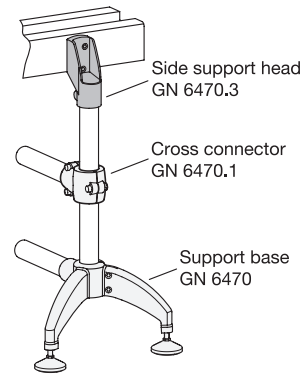
elesa

Original design TSLA / TSLB



Inox
Stainless
Steel

Application example



2 Type

- D** With 4 slotted holes
- E** With 2 bores

1

d		Tube nominal size DIN EN 10220 / EN 10255
Bore		
Type D	Type E	
B 42,4	-	1 1/4"
B 48,3	B 48,3	1 1/2"
B 60,3	-	2"

Specification

Support head

- Plastic, polyamide (PA)
- Glass fiber reinforced
- Operating temperature -30 °C to +100 °C
- Black, matte finish

Clamping set

- Stainless steel AISI 304
- Hex head screws DIN 931
- Hex nuts DIN 934
- Washers DIN 125

RoHS

On request

Type D with square 45 x 45

Side support heads GN 6470.3 are used in combination with boiler or threaded tubes to build transport systems or work tables. They connect the structure, e.g. with conveyor belts or control panels, laterally or parallel to the tube axis.

see also...

	Page
GN 6470 Support Bases	QVX
GN 6470.1 Cross Connectors	QVX
GN 6470.2 Support Heads	QVX

Technical Information

Plastic Characteristics	QVX
Stainless Steel Characteristics	QVX

How to order

GN 6470.3-B60,3-D

1	d
2	Type