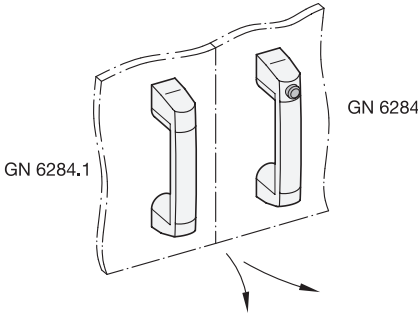


elesa  
Original design M.2000

Application example



<sup>2</sup> $l_1 \pm 1$	<sup>3</sup> d	b	$h_1$	$h_2$	$l_2$	$l_3$	$l_4$	t
180	M 6	35	65	24	212,5	113	20	12

Specification

Handle

- Plastic, Polyamide
- Glass fiber reinforced
- Self-extinguishing, UL-94 V0
- Operating temperature -30 °C to +120 °C
- Black, matte finish

PA

● SW

Threaded bushing

Brass

RoHS

Cabinet U-handles GN 6284.1 are designed as a complementary handle for cabinet U-handles GN 6284 with electrical switching function.

see also...

**GN 6284** Cabinet U-Handles (with Electrical Switching Function, LED Illuminated) QVX

Technical Information

Strength Properties

Plastic Characteristics

Page

QVX

QVX

QVX

How to order

<sup>1</sup> <sup>2</sup> <sup>3</sup> <sup>4</sup>  
**GN 6284.1-PA-180-M6-SW**

1	Material
2	$l_1$
3	d
4	Color