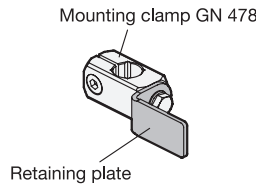
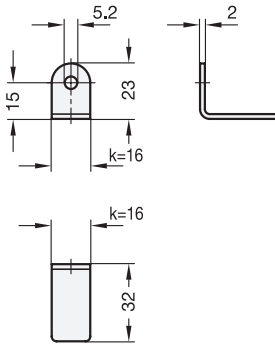
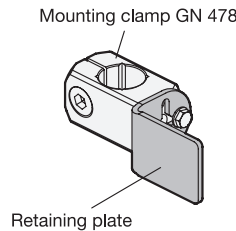
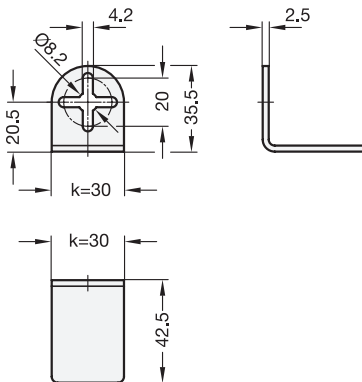


**Swivel width k=16**



ROSTFREI  
Inox  
Stainless  
Steel

**Swivel width k=30**



**Specification**

- Stainless steel AISI 303  
Matte shot-blasted
- [Stainless Steel Characteristics](#) → Page 2166
- RoHS

**Information**

Stainless steel retaining plates GN 479.1 are designed as universal mounting elements, e.g. for integrating specific hole patterns.

The attachment bore matches the central thread of clamp mountings GN 478 and attachment clamp mountings GN 484. For k=30, the cross-shaped slotted holes provide extra adjustability and allow the use of two fixing screws.

Fixing screws are no included parts of the order.

see also...

- [Attachment Mounting Clamps GN 478](#) → Page 1795
- [Attachment Swivel Mounting Clamps GN 484](#) → Page 1799

How to order

**GN 479.1-16**

1 k