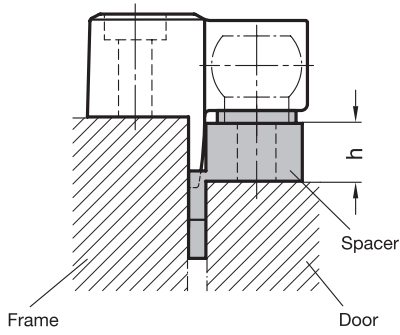


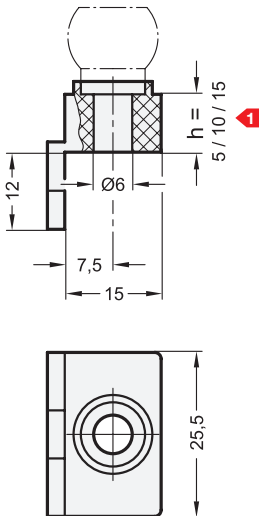
Assembly instructions

The minimum thickness for the profile suitable for use is 15 mm, while the distance between door and frame must be within 2.5 mm and 3.5 mm.



For applications with differences in height between frame and door, spacers GN 450.1 with height $h = 5, 10$ and 15 mm are available.

GN 450.1 | Spacers



Specification

- Plastic (Polyamide PA)
Black, matte finish

Information

The combination with spacers can realise the distances $h = 20, 25$ and 30 mm.

How to order	1	h
GN 450.1-10	1	h

3.1
3.2
3.3
3.4
3.5
3.6
3.7
3.8
3.9