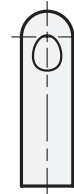
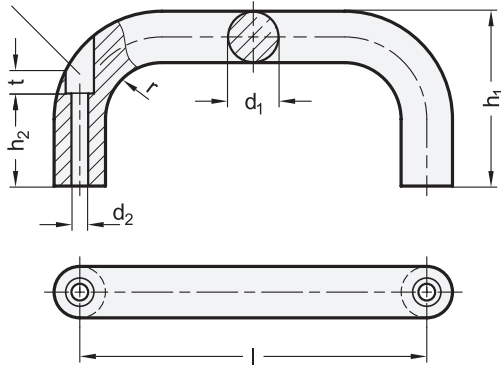


Bore for socket cap screw ISO 4762



² d ₁	³ Length l	d ₂	h ₁ ≈	h ₂	r	t ≈
20	200	6,5	68	36	22	9
20	250	6,5	68	36	22	9
20	300	6,5	68	36	22	9
20	350	6,5	68	36	22	9
28	250	9	78	34	32	11
28	300	9	78	34	32	11
28	350	9	78	34	32	11
28	400	9	78	34	32	11

Specification

Aluminum

- Powder coated
- Black, RAL 9005, textured finish
- Silver, RAL 9006, textured finish
- Plain finish, tumbled

- ¹ AL
- ⁴ SW
- SR
- BL

RoHS

Cabinet U-handles GN 426.2 are manufactured from a bent aluminum profile.

see also...

	Page
GN 426 Cabinet U-Handles (Mounting from the Back)	QVX
GN 426.6 Cabinet U-Handles (Stainless Steel, Angled, Mounting from the Back)	QVX
GN 426.1 Cabinet U-Handles (Angled, Mounting from the Back)	QVX
GN 426.4 Cabinet U-Handles (Angled, Mounting from the Operator's Side)	QVX
GN 426.5 Cabinet U-Handles (Stainless Steel, Mounting from the Back)	QVX

Technical Information

Load Rating Information

QVX

How to order	1 Material
	2 d ₁
	3 Length l
	4 Finish

GN 426.2-AL-28-250-SW