

2 Type

- A With straight latch arm
- B With offset latch arm

3 Coding

- SL With lock, lockable by turning left (different locks)
- SR With lock, lockable by turning right (different locks)
- OS Without lock, turns 90° in both directions

1

d ₁	a ₁ Type A	a ₂ Type B	b	d ₂	h ₁	h ₂	l ₁ ±0,5 Type A	l ₂ ±0,5 Type B
40	50	48	20	29	25	11	10	18

Specification

- Star knob
Plastic (Polypropylene PP)
 - Black, matte finish
 - Temperature resistant up to 90 °C
- Latch arm
Sheet steel, zinc plated
- Key
Brass, nickel plated
- Other parts
Steel zinc plated resp. brass or stainless steel
- *Plastic Characteristics* → Page 2158
- **RoHS**

On request

- Same lock
- Different locks, with general key

Information

Latches GN 217 lock by a turning operation limited to 90° which moves the latch arm in the locked position behind the door frame.

Latch arms are available with different bend angles to cover a latch arm distance of 10 mm (type A) and 18 mm (type B).

The latches with lock are delivered with 2 keys. The key can be removed in both end positions.

For versions with different locks, 400 different lock variants are available with correspondingly numbered keys.

see also...

- *List of Latch Types* → Page 1196 ff.
- *Latches GN 115 (Lockable)* → Page 1203
- *Latches GN 115 (Operation with Operating Elements)* → Page 1200 / 1206
- *Latches GN 115.3 (Plastic)* → Page 1214
- *Latches with Gripping Tray GN 731.2 / GN 731.5* → Page 1228

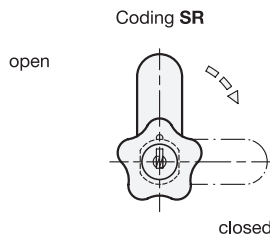
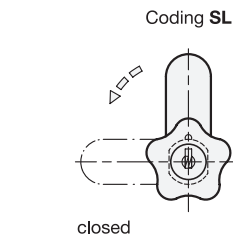
How to order

GN 217-40-A-SR

1	d ₁
2	Type
3	Coding

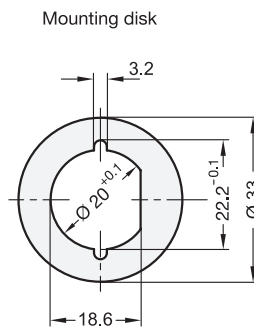
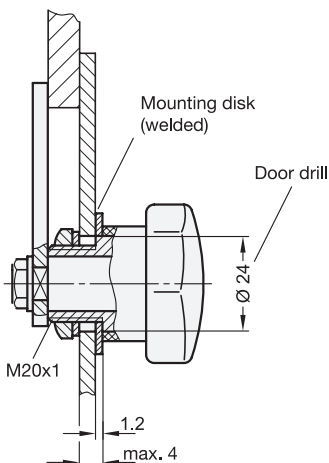
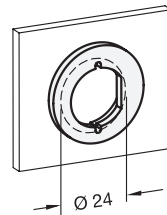


Construction and assembly instructions



Construction examples

with mounting disk



Location hole directly incorporated (without mounting disk)

