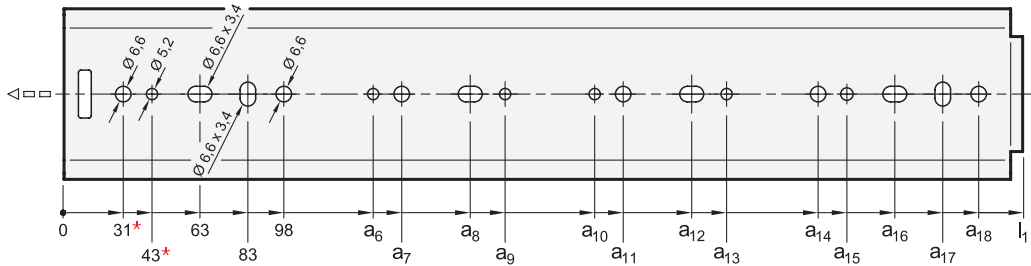
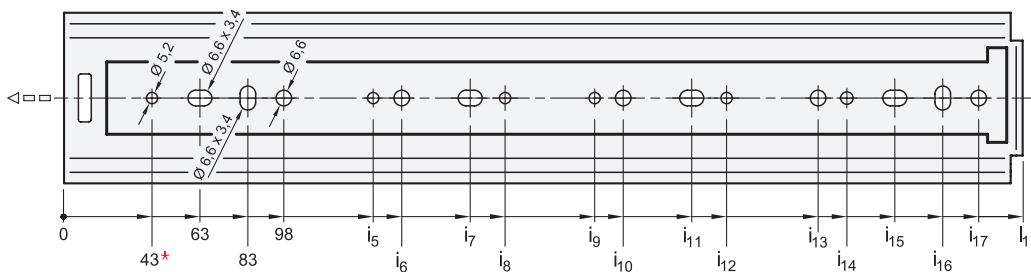


## Mounting holes - outer slide



$l_1$	$a_6$	$a_7$	$a_8$	$a_9$	$a_{10}$	$a_{11}$	$a_{12}$	$a_{13}$	$a_{14}$	$a_{15}$	$a_{16}$	$a_{17}$	$a_{18}$
300	-	-	-	-	-	-	-	-	161	173	193	213	228
400	-	-	-	-	-	-	-	-	261	273	293	313	328
500	-	-	-	-	-	-	-	-	361	373	393	413	428
600	213	228	363	378	-	-	-	-	461	473	493	513	528
700	213	228	363	378	-	-	-	-	561	573	593	613	628
800	313	328	463	478	-	-	-	-	661	673	693	713	728
900	313	328	463	478	-	-	-	-	761	773	793	813	828
1000	413	428	563	578	-	-	-	-	861	873	893	913	928
1200	313	328	463	478	713	728	863	878	1061	1073	1093	1113	1128
1500	413	428	563	578	913	928	1063	1078	1361	1373	1393	1413	1428

## Mounting holes - inner slide



$l_1$	$i_5$	$i_6$	$i_7$	$i_8$	$i_9$	$i_{10}$	$i_{11}$	$i_{12}$	$i_{13}$	$i_{14}$	$i_{15}$	$i_{16}$	$i_{17}$
300	-	-	-	-	-	-	-	-	-	173**	-	213	228
400	-	161	-	-	-	-	-	-	261	273	293	313	328
500	-	229	-	-	-	-	-	-	361	373	393	413	428
600	213	228	398	413	-	-	-	-	461	473	493	513	528
700	313	328	463	478	-	-	-	-	561	573	593	613	628
800	313	328	498	513	-	-	-	-	661	673	693	713	728
900	413	428	563	578	-	-	-	-	761	773	793	813	828
1000	413	428	598	613	-	-	-	-	861	873	893	913	928
1200	313	328	463	478	713	728	863	878	1061	1073	1093	1113	1128
1500	413	428	563	578	913	928	1063	1078	1361	1373	1393	1413	1428

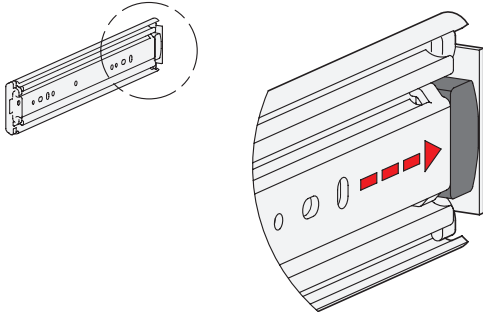
\* Bores are only usable on type B and type K. \*\* Bores are only usable on type B and type M.

## Fastening screws

For the said loading forces  $F_S$  to be absorbed reliably in the surrounding structure, all available through-holes of the outer and inner slide having a diameter ( $\varnothing$ ) of 6.6 must be used. Alternatively, holes with a diameter ( $\varnothing$ ) of 5.2 are available. The elongated holes,  $\varnothing 6.6 \times 3.4$ , facilitate adjustment during mounting when needed. Failure to use fastening screws reduces the load capacity. The following screws can be used for mounting:

Designation - standard		Outer slide	Inner slide
Hexagon socket button head screw	ISO 7380	M 5 / M 6	M 5 / M 6
Hexagon socket low cylindrical head screw	DIN 7984 / DIN 6912	M 5	M 5

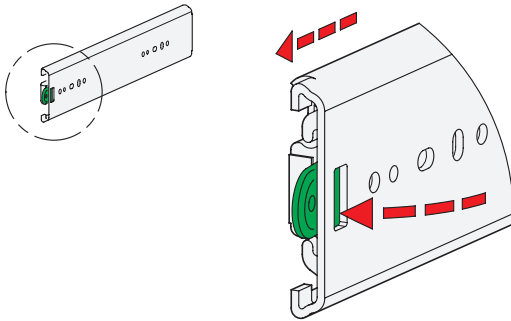
Type B with rubber stop



The rubber stops of type B dampen the impact of the slide in the respective end position. This feature minimizes noise development and increases the lifespan. Attached to the slides in a partially concealed, partially visible manner, the stops meet each of the requirements in regard to shape, material, and hardness.

If larger static or dynamic loads occur in the direction of extension, they should be absorbed by external stop elements.

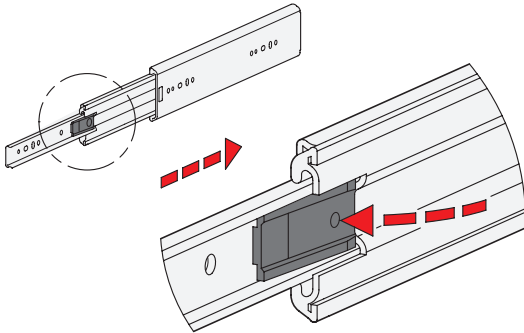
Type M with rubber stop, latch in back



Type M is used in applications in which the slide needs to be locked in the back end position. This feature prevents the slide from extending on its own, for example, due to a tilted position. If larger loads occur in the direction of extension in the latched position, they should be absorbed by external latch elements.

The latch mechanism locks into place in a spring-loaded opening of the outer slide in the closed state. Pressing the release lever releases the inner and middle slide for extension. Back in the back stop position, the mechanism locks into place automatically in the opening of the outer slide by moving over a ramp.

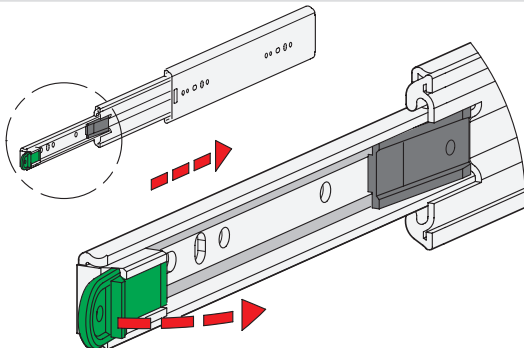
Type K with rubber stop, latch in front



Type K is used when the extension needs to stay in the front stop position for a certain amount of time. This feature allows maintenance work to be performed when the extension is expanded, for example. If larger loads occur in the latched position, they should be absorbed by external latch elements.

For the function to be activated, the slide has to be fully extended to the front, where it will automatically click into place through a pretensioned locking lever. Pressing the lever releases the slide, allowing slide to retract again.

Type Q with rubber stop, latch in back-front



Type Q unites the properties of types M and K. The inner and middle slide lock into place in the respective end position.

Unlike the release of type K, type Q is activated through an internal rod by a convenient "remote control." The green activation lever is pressed out, the locking lever activated, and the slide released for retraction.

3.1  
3.2  
3.3  
3.4  
3.5  
3.6  
3.7  
3.8  
3.9

