

2 Type

F With rubber stop, locking device in retracted position, detach function

3 Identification no.

1 Mounting with through-holes

1

l_1	l_2 ⁺³ ₋₃ Stroke	l_3	F_S per pair in N	
			at 10,000 cycles	at 100,000 cycles
350	350	700	380	290
400	400	800	430	340
450	450	900	430	340
500	500	1000	380	290

1

l_1	l_2 ⁺³ ₋₃ Stroke	l_3	F_S per pair in N	
			at 10,000 cycles	at 100,000 cycles
550	550	1100	330	240
600	600	1200	300	200
650	650	1300	300	200

Specification

- Slide profile
Steel, zinc plated, blue passivated **ZB**
- Bearings
Roller bearing steel, hardened
- Ball cage, outer slide
Plastic
- Ball cage, inner slide
Steel, zinc plated
- Rubber stop and detach function
Plastic / Elastomer
- Push to Open - mechanism
Steel / Plastic
- Operating temperature -20 °C to 100 °C
- RoHS

On request

- Other lengths and hole spacing
- Other attachment options
- Other surfaces

4

Information

Telescopic slides GN 1418 are installed vertically and in pairs. The stroke reaches $\approx 100\%$ of the nominal length l_1 (full extension). The rubber stops of type F dampen the impact of the slide in the end positions. This feature minimizes noise development and increases the lifespan. If larger static or dynamic loads occur in the direction of extension, they should be absorbed by external stop elements.

The telescopic slides are delivered in **pairs**. They can be installed on the extension on either the left or right side due to the mechanics. All mounting holes are easy to reach through auxiliary holes. Only the mounting holes are shown, but other production-related holes may be present.

see also...

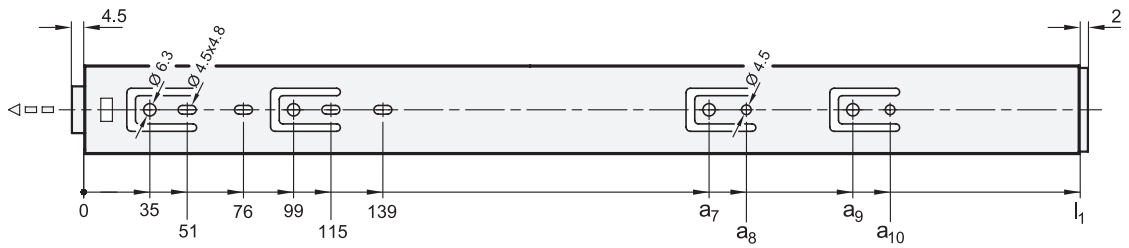
- Technical Information on Telescopic Slides \rightarrow Page 1898 ff.
- Telescopic Slides GN 1412 (with Self-Retracting Mechanism) \rightarrow Page 1864
- Telescopic Slides GN 1414 (with Dampened Self-Retracting Mechanism) \rightarrow Page 1867

How to order

GN 1418-500-F-1-ZB

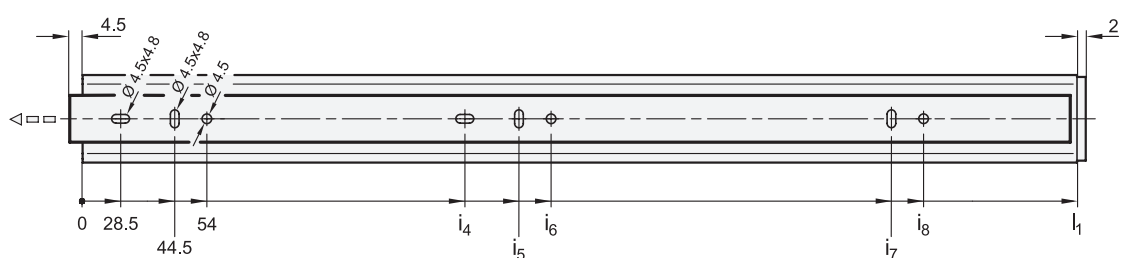
1	l_1
2	Type
3	Identification no.
4	Finish

Mounting holes - outer slide



l_1	a_7	a_8	a_9	a_{10}
350	195	211	-	-
400	195	211	-	-
450	259	275	-	-
500	291	307	-	-
550	355	371	-	-
600	387	403	451	467
650	419	435	483	499

Mounting holes - inner slide



l_1	i_4	i_5	i_6	i_7	i_8
350	125	141	150,5	269	278,5
400	189	205	214,5	301	310,5
450	189	205	214,5	333	342,5
500	189	205	214,5	365	374,5
550	189	205	214,5	397	406,5
600	253	269	278,5	493	502,5
650	253	269	278,5	525	534,5

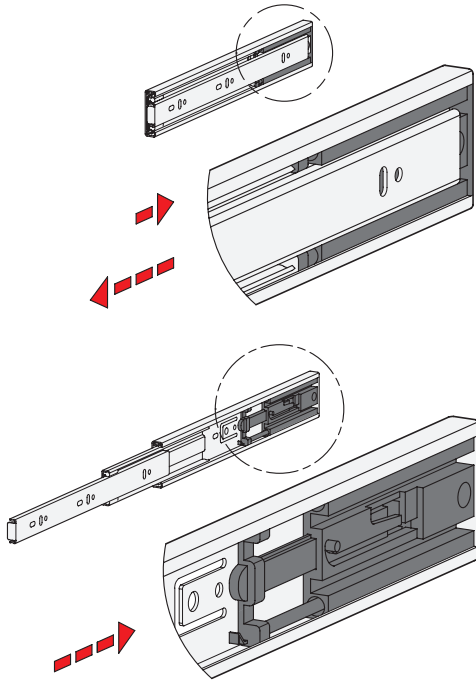
Mounting screws

For the said loading forces F_S to be absorbed reliably in the surrounding structure, all available through-holes of the outer and inner slide having a diameter (\varnothing) of 4.5 must be used. Alternatively, the outer slide has holes with a diameter (\varnothing) of 6.3 for Euro screws. The elongated holes, $\varnothing 4.5 \times 4.8$, are used likewise for mounting and facilitate adjustment during mounting when needed. Failure to use mounting screws reduces the specified load capacity accordingly. The following screws can be used for mounting:

Designation - standard		Outer slide	Inner slide
Hexagon socket button head screw	ISO 7380	M 4	M 4
Pan head screw, Phillips	ISO 7045	M 4	M 4
Pan head tapping screw, Phillips	ISO 7049	ST 3,9 / 4,2	ST 3,9 / 4,2



„Push to Open“ - mechanism



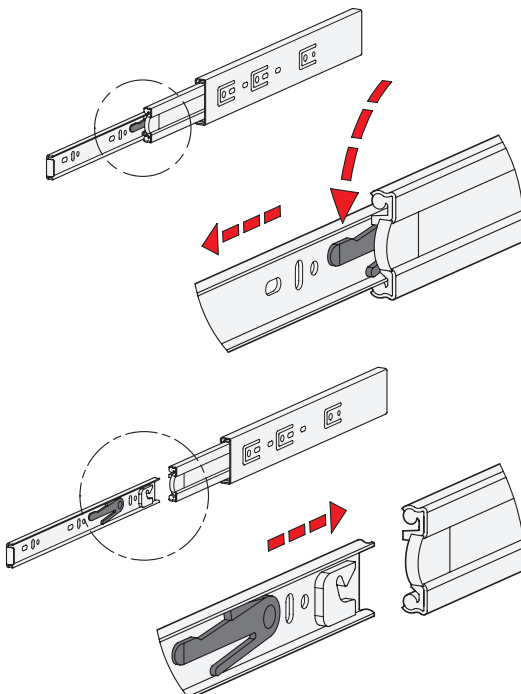
Telescopic slides GN 1418 come with a “push to open” or “touch to open” mechanism. In addition to ease of opening, the system allows you to have drawers without a front handle. The visual appearance is trim and high-end.

The drawers are actuated by pressing your hand on the front of the slide-out shelf or drawer. The required force to activate the opening mechanism is about 40 N per rail pair. The inner rail extends about 4.5 mm in its home position and can be pressed in a maximum of 8 mm in the closing direction. This should be taken into account during construction in order to prevent collisions. The pressure or release point is reached at about 3 mm which causes the drawer to slide out smoothly to about 42 mm in the opening direction after being released.

The same force has to be overcome when the drawer is closed. Over the last 42 mm, the drawer’s speed is reduced to a maximum of 0.15 m/s.

When closed, the rail is held by the opening mechanism as a type of lock.

Detach function



Type F has additionally a detach function through which the extension slides can be completely separated from one another in the area of the middle and inner slide. This feature not only facilitates mounting. It also allows the extension to be quickly removed, for example, when frequent maintenance work is performed on the components located behind.

The telescopic slide can be quickly and easily detached in the extracted position through activation of the release lever, allowing the inner slide to be removed from the front.

For reattaching the slides, the ball cages need to be moved to the front end position. Then the inner slide is inserted to the back end stop where it locks into place automatically.

The protected arrangement of the release mechanism prevents accidental detachment of the slide.