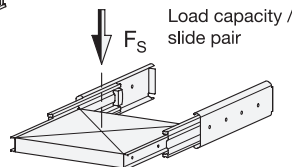
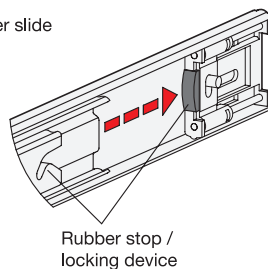
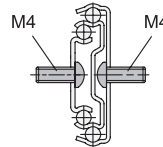


Mounting screws



2 Type

F With rubber stop, locking device in retracted position, detach function

3 Identification no.

1 Mounting using through-holes

1

l_1	l_2 ⁺³ Stroke	l_3	F_S per pair in N	
			at 10,000 cycles	at 100,000 cycles
300	300	600	330	240
350	350	700	380	290
400	400	800	430	340
450	450	900	430	340
500	500	1000	380	290

1

l_1	l_2 ⁺³ Stroke	l_3	F_S per pair in N	
			at 10,000 cycles	at 100,000 cycles
550	550	1100	330	240
600	600	1200	320	240
650	650	1300	300	220
700	700	1400	300	220

Specification

- Slide profile
Steel, zinc plated, blue passivated **ZB**
- Bearings
Roller bearing steel, hardened
- Ball cage, outer slide
Plastic
- Ball cage, inner slide
Steel, zinc plated
- Rubber stop and detach function
Plastic / Elastomer
- Self-retracting mechanism
Zinc plated steel/plastic
- Operating temperature -20 °C to 100 °C
- RoHS

4

Information

Telescopic slides GN 1412 are installed vertically and in pairs. The stroke reaches $\approx 100\%$ of the nominal length l_1 (full extension). The rubber stops of type F dampen the impact of the slide in the end positions. This feature minimizes noise development and increases the lifespan. If larger static or dynamic loads occur in the direction of extension, they should be absorbed by external stop elements.

The telescopic slides are delivered in **pairs**. They can be installed on the extension on either the left or right side due to the mechanics. All mounting holes are easy to reach through auxiliary holes. Only the mounting holes are shown, but other production-related holes may be present.

see also...

- Technical Information on Telescopic Slides \rightarrow Page 1898 ff.
- Telescopic Slides GN 1410 (with Full Extension) \rightarrow Page 1861

On request

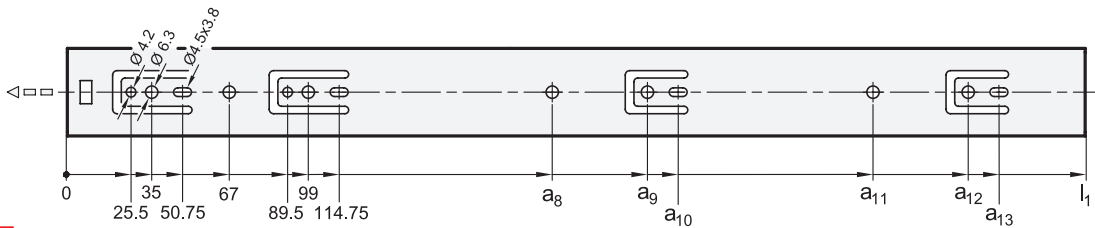
- Other lengths and hole spacing
- Other attachment options
- Other surfaces

How to order

GN 1412-500-F-1-ZB

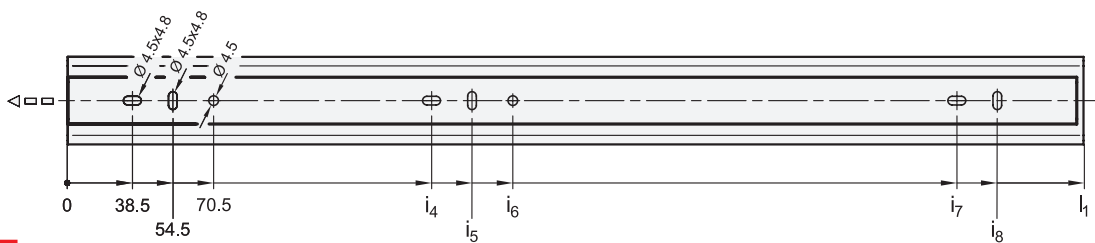
1	l_1
2	Type
3	Identification no.
4	Finish

Mounting holes - outer slide



l_1	a_8	a_9	a_{10}	a_{11}	a_{12}	a_{13}
300	-	195	207,75	227	-	-
350	-	227	239,75	259	-	-
400	259	291	303,75	323	-	-
450	259	323	335,75	-	-	-
500	259	323	335,75	-	387	399,75
550	259	323	335,75	387	451	463,75
600	259	355	367,75	387	483	495,75
650	259	355	367,75	451	515	527,75
700	259	355	367,75	515	579	591,75

Mounting holes - inner slide



l_1	i_4	i_5	i_6	i_7	i_8
300	230,5	246,5	262,5	-	-
350	150,5	166,5	182,5	292,5	308,5
400	170,5	186,5	202,5	341,5	357,5
450	195,5	211,5	227,5	391,5	407,5
500	220,5	236,5	252,5	441,5	457,5
550	250,5	266,5	282,5	492,5	508,5
600	260,5	276,5	292,5	541,5	557,5
650	260,5	276,5	292,5	602,5	618,5
700	260,5	276,5	292,5	652,5	668,5

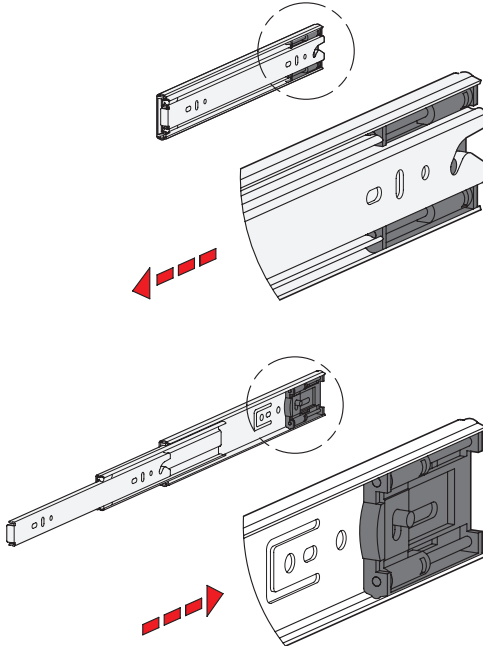
Mounting screws

For the said loading forces F_S to be absorbed reliably in the surrounding structure, all available through-holes of the outer slide having a diameter (\varnothing) of 4.2 and of the inner slide having a diameter (\varnothing) of 4.5 must be used. Alternatively, the outer slide has holes with a diameter (\varnothing) of 6.3 for Euro screws. The elongated holes, $\varnothing 4.5 \times 3.8$ of the outer slide and $\varnothing 4.5 \times 4.8$ of the inner slide, are used likewise for mounting and facilitate adjustment during mounting when needed. Failure to use mounting screws reduces the specified load capacity accordingly. The following screws can be used for mounting:

Designation - standard		Outer slide	Inner slide
Hexagon socket button head screw	ISO 7380	M 4	M 4
Pan head screw, Phillips	ISO 7045	M 4	M 4
Pan head tapping screw, Phillips	ISO 7049	ST 3,9 / 4,2	ST 3,9 / 4,2



Self-retracting mechanism

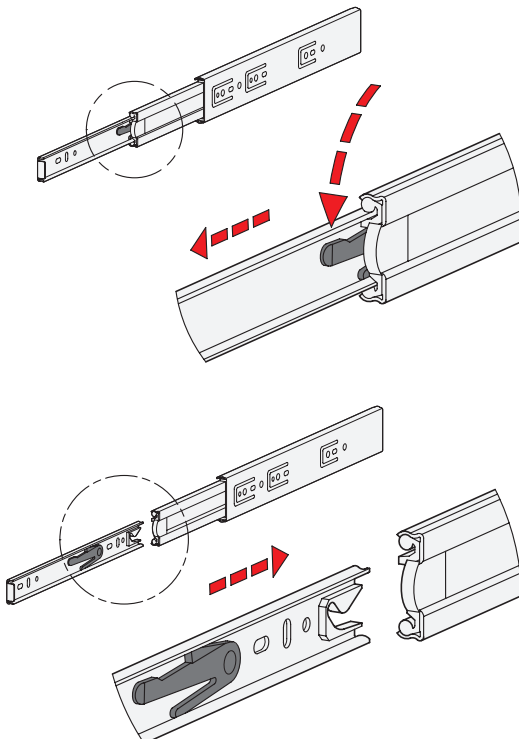


Telescopic slides GN 1412 have an integrated self-retracting mechanism, which improves considerably the ease of use when closing the extensions.

The slides are retracted and held in the back end position automatically by means of a retraction mechanism on the last 30 mm of stroke with a force of approximately 25 newtons for each slide pair.

In this slide variant the available retraction force can be regarded as a locking device, which is noticeable through a slight restriction on opening the extension.

Detach function



Type F has additionally a detach function through which the extension slides can be completely separated from one another in the area of the middle and inner slide. This feature not only facilitates mounting. It also allows the extension to be quickly removed, for example, when frequent maintenance work is performed on the components located behind.

The telescopic slide can be quickly and easily detached in the extracted position through activation of the release lever, allowing the inner slide to be removed from the front.

For reattaching the slides, the ball cages need to be moved to the front end position. Then the inner slide is inserted to the back end stop where it locks into place automatically.

The protected arrangement of the release mechanism prevents accidental detachment of the slide.