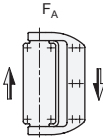
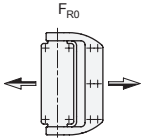

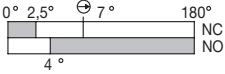
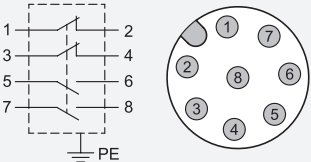


Mechanical features				
Maximum load				
Information with safety factor	Load direction			
Examples of calculation → see operating instruction	F max.	2000 N	2000 N	2000 N
Fixing	from the back, 10 x threads M6, 8 mm deep			
Recommended torque	10 Nm (Screws M6)			
Protection class	IP67 / IP69K (Mind the cable conduit!)	acc. to EN 60529		
Switching principle, contact opening	Slow-action contacts force-fitted, with positive opening	acc. to IEC 60947-5-1		
Contact material	Silver alloy			
Operating travel diagram (scheme)	The switching points are adjustable up to 2° in direction of 0°. → see operating instruction			
Maximum operating frequency	600 operating cycles / hour	acc. to IEC 60947-5-1, one operating cycle includes one opening and one closing action		
Mechanical life span	10 ⁶ operating cycles			
Actuating speed	min. 2° / second, max. 90° / second			

Electrical features / Safety features		
Utilization category	AC 15: 24 V AC / 2A / DC 13: 24 V DC / 2A (connector plug) AC 15: 250 V AC / 3A / DC 13: 250 V DC / 0,3 A (cable)	acc. to EN 60947-5-1
Contacts, termination 8-pole connector M12 or 9 wire cable with 2 m or 5 m length		1 - black 2 - black-white 3 - red 4 - red-white 5 - brown 6 - blue 7 - purple 8 - purple-white PE - yellow-green (only type CK)
Pin and cable assignment		
Type of cable	9x0,34 mm ² , PVC H05VV-F, black	acc. to IEC 60332-1
Short-circuit current	1000 A	acc. to EN 60947-5-1
Rated insulation voltage	30 V AC / 36 V DC (connector plug) / 250 V AC (cable)	
Short-circuit protection	2 A, 500 V, Typ gG (connector plug) / 3 A, 500 V, Typ gG (cable)	
Ambient temperature	- 25 °C up to + 80 °C	
Degree of pollution, external	3	acc. to EN 60947-5-1
Safety parameters	B10: 1 000 000, B10 d: 5 000 000, B10 / B10 d: 20%	acc. to EN ISO 13849-1

Approvals, Conformities, Applicability		
Low-voltage switchgear and controlgear CE declaration EAC- and UL-certified	  	EN 60947-1/2007 EN 60947-1-5 : 2004 + A1/2009
Safety applications	until SIL 3 / PL e	acc. to EN ISO 13849-1

Other important details and hints are given in the operating instruction for GN 139.5 hinges which are included with every hinge and which are also available as PDF downloads from „www.ganternorm.com“ under „Service“.

The hinges with safety switch must be mounted and commissioned by qualified technical personnel in compliance with the details given in the operating instructions and with the national and international rules and regulations and the applicable standards. Otto Ganter GmbH & Co. KG will assume no statutory liability for missing or incorrect information and for any consequences arising therefrom.